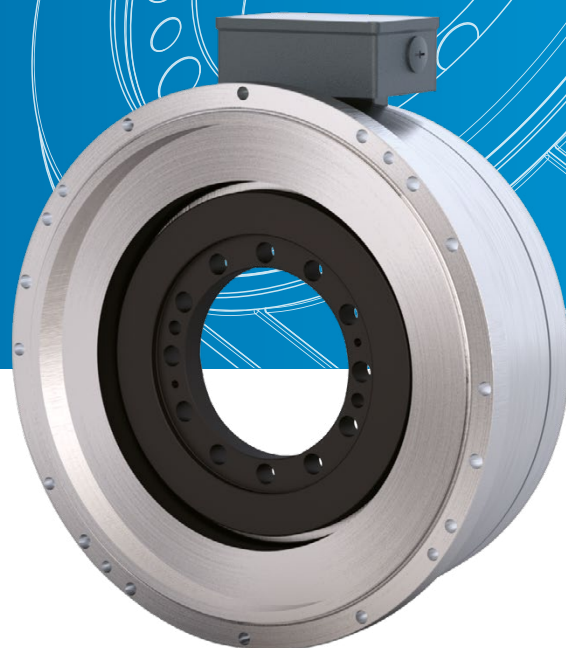


**THE VALUE OF  
ENGINEERING**



**TORQUE MOTORS  
BT SERIES**



**Brusatori**  
ELECTRIC MOTORS



## Specifications

BT series torque motors are multipole electric servomotors with an integrated water-cooling system, consisting of two main components, rotor ring and stator ring, and are designed to offer very high torque in extremely compact dimensions. They find their use in all applications, where the use of standard gearbox-connected motors does not achieve high standards of productivity and efficiency, and they enable the reduction of machine costs related to maintenance and energy consumption by being fully integrated into the machine body. BT torque motors offer the enormous advantage of eliminating mechanical parts of the machine and consequently a lower chance of failure, combined with less management of spare parts.

Other advantages offered by this type of motors include hollow shaft mounting, which significantly reduces machine design costs, low noise emission levels, and a water-cooling system that eliminates contamination in the ventilation ducts.

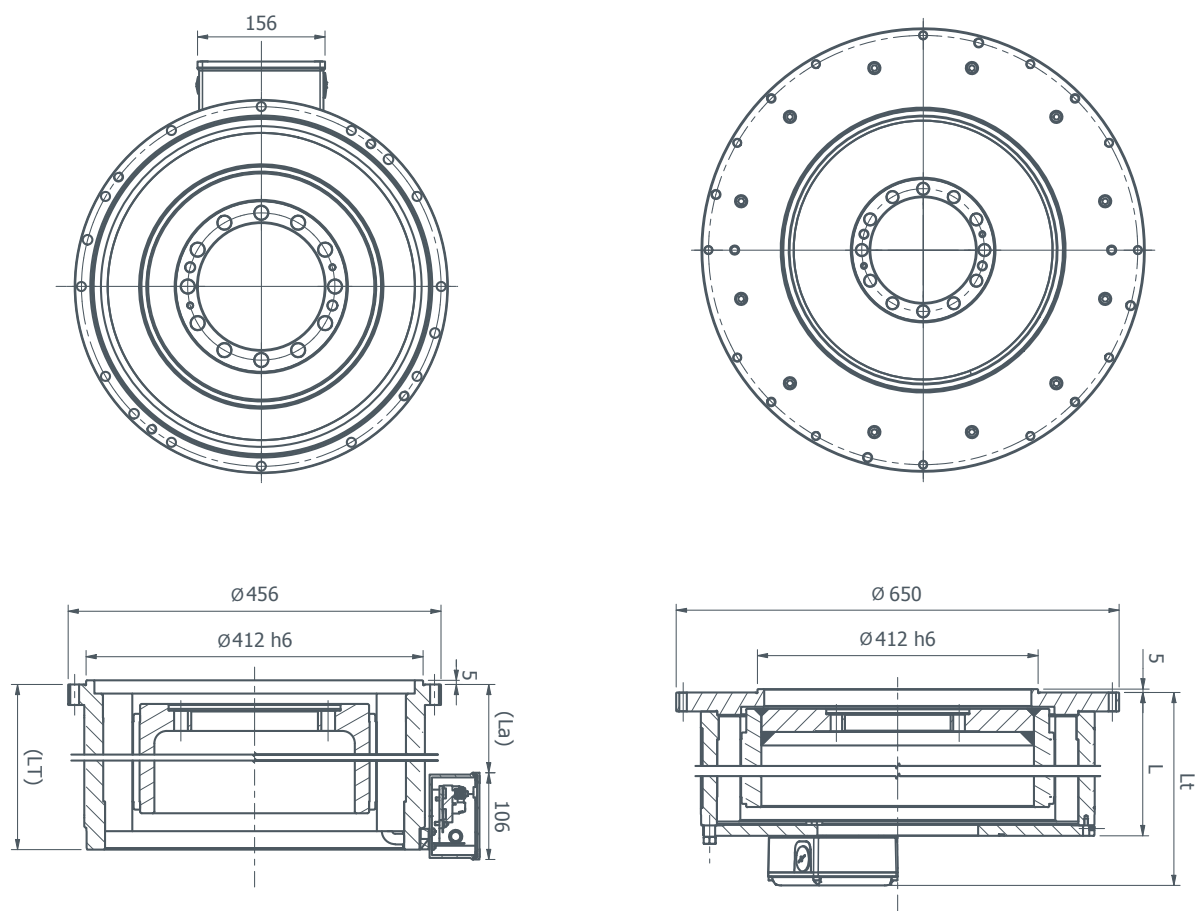
## Standard features

- Winding: three-phase star without accessible neutral
- Winding insulation: class H according to CEI 2-3 (2000)
- Dimensioning: class F (dTmax=105K) according to CEI EN 60034-1 (2000)
- Protection degree: IP54 according to CEI EN 60034-5 (2001)
- Position sensor: encoder or 2-pole resolver
- Cooling: liquid cooling according to CEI EN 60034-6 (1997)
- Thermal protection: thermal protector with normally closed contact.  
Operating temperature 130±5°C. (Maximum voltage 250Vac, maximum current 5Aac)
- Construction type: open frame
- Operating position: any
- Colour: black RAL 9005
- Reference conditions: ambient temperature +40°C, max. altitude 1000m a.s.l.
- Storage temperature: -10°C ÷ +70°C
- Reference switching frequency: 8kHz

## Options

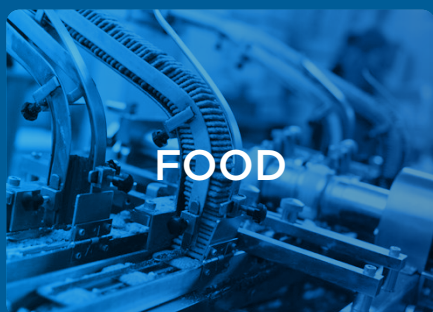
- Position sensor
- Resolver
- Sinusoidal encoder
- EnDat absolute encoder
- Hiperface absolute encoder
- Special designs according to customer specifications

# MOTORS BT\_370-530



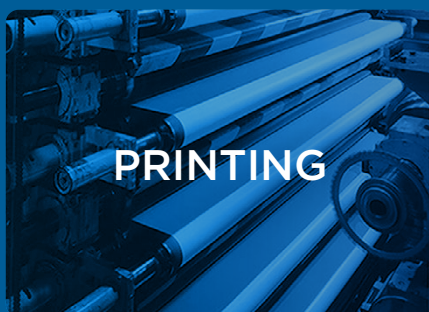
SIZE	LENGTH	SPEED (rpm)	MOTOR DATA								DIMENSIONS			
			Ton (Nm)	Tn (Nm)	Pn (W)	Tpk (Nm)	Ion (Arms)	In (Arms)	Ipk (Arms)	2p (n. poles)	LT	La	Lt	L
BT 370	60	100	470	470	4922	902	15,5	15,5	33	22	170	76	/	/
		250		447	11689	902	29,7	27,5	64,2	22				
		450		423	19933	902	48,5	44,6	105	22				
	90	100	705	705	7383	1354	20,9	20,9	46,2	22	195	101	/	/
		250		670	17534	1354	40,8	38,1	88,9	22				
		450		635	29900	1354	75,1	70,1	165,1	22				
	120	100	1010	1010	10577	2121	28,1	28,1	63	22	225	131	/	/
		250		893	23379	2121	53,5	49,5	135,8	22				
		450		846	39867	2121	89,1	81,7	226,3	22				
180	100	1410	1410	14765	2679	37,2	37,2	81,7	22	255	161	/	/	
	250		1340	35068	2679	75,8	70,7	163,4	22					
	450		1269	59800	2679	132,7	123,7	285,9	22					
BT 530	70	100	795	795	8325	1910	18	18	50,1	38	/	/	269	196
		200		755	15818	1814	30,8	30,8	85,8	38				
	140	100	1542	1542	16150	3705	31,5	31,5	87,6	38	/	/	339	266
		200		1392	29152	3344	56,8	56,8	158	38				
	210	100	2266	2265	23726	5443	44	44	122,5	38	/	/	409	336
		200		1937	40573	4654	87,8	87,8	244,4	38				

# APPLICATIONS



## FOOD

Pasta machines, slaughterhouses lines, hydropulishers



## PRINTING

Rotogravure printing machines, flexographic printing machines, converting lines, laminators, coating lines



## PLASTICS

Extrusion lines, pipe machines, profile machines, stretch lines, tape lines, recycling lines



## MACHINE TOOLS

Grinders, milling machines, machining centers, sawing machines



## METALS

Winders-unwinders, loaders and stackers, tube lines, drawing lines, cable production lines, longitudinal and transverse cutting lines



## PAPER

Winders-unwinders, cutters, rewinders, wrappers

📍 Operational headquarters:  
Via Meucci 5/7  
20012 - Cuggiono (MI) - ITALY

☎ Ph: +39 0225 068401

✉ E-mail: [info@brusatori.eu](mailto:info@brusatori.eu)  
Website: [www.brusatori.eu](http://www.brusatori.eu)